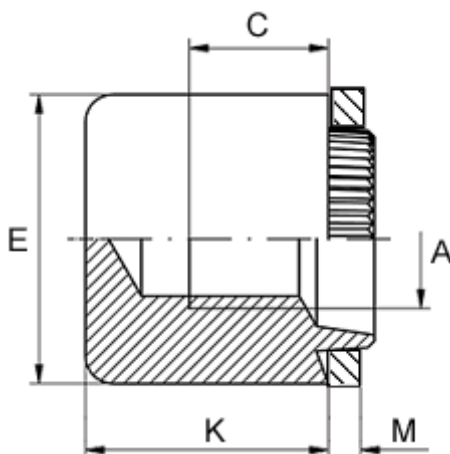


Data Sheet



Article number: 12756000030100
Description: KLEE-coil 756 000 030.100
M3 Steel

Measures



Female thread A	= M3
Height K	= 9.0
Min thread length C	= 3.0
Outer diameter E	= 8.0
Plate thickness	= 4.4 to 4.6
Recommended bore diameter for extreme load	= 6.0
Recommended bore diameter for normal use	= 6.0